

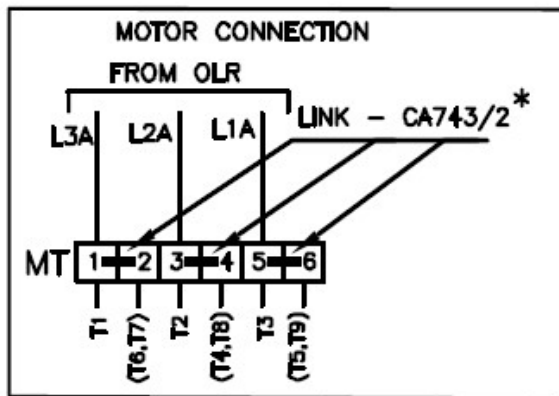


Voltage conversion 460v to 230v

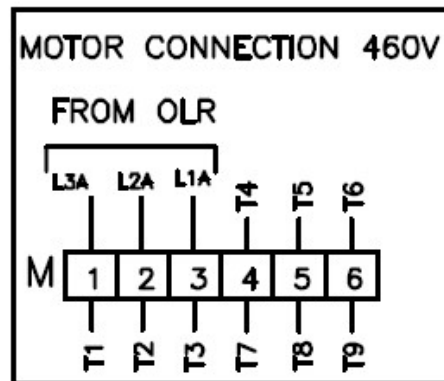
(EN4 to EN7) 9 lead motors

- Rewire the Motor for 230v operation.** Install the 3 jumper-links between 1 and 2, 3 and 4, and 5 and 6 (the links are usually left in the electrical cabinet or manual if the unit was previously converted). The motor connections for 230v are shown below in the Left-hand diagram.

230v



460v



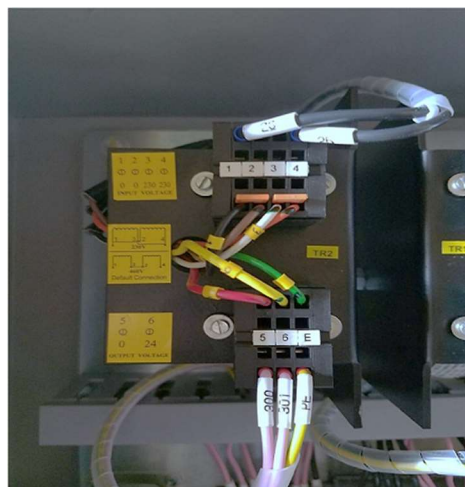
2. Reconfigure Control Transformer Jumpers

Reconfigure the control transformer wiring for 230v operation. Remove the orange jumpers between 2 and 3. Put the orange jumpers back in between 1 and 2, 3 and 4.

460v

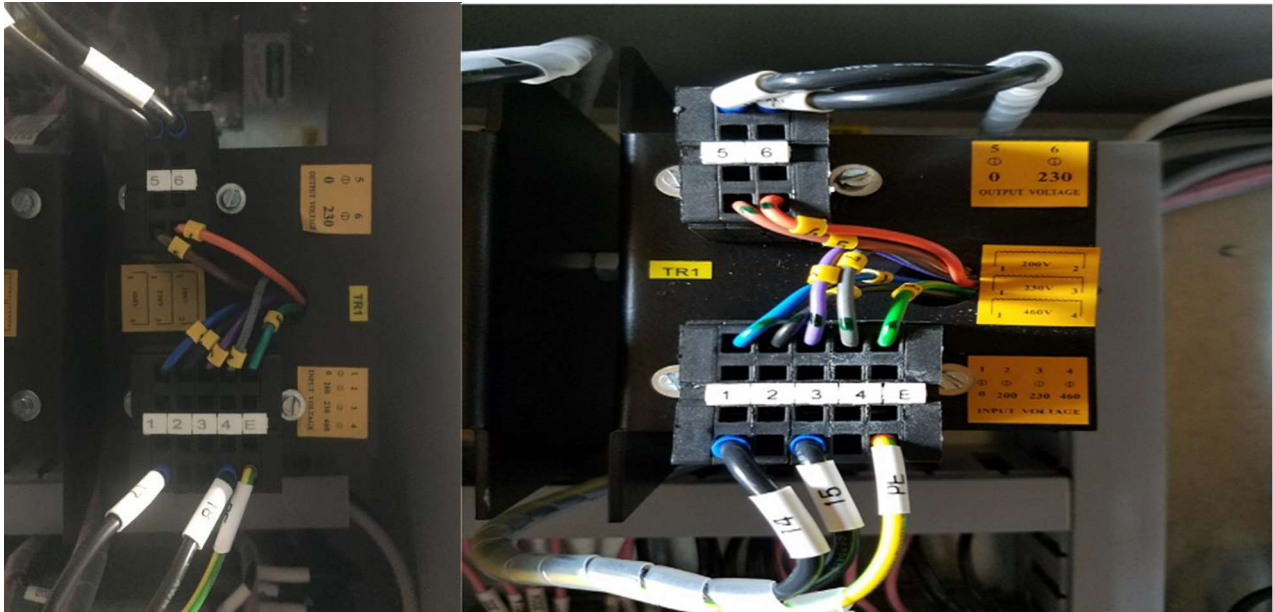


208/230v



3. Reconfigure fan transformer for 230v

Move wire 15 from pin 4 to pin 3 (230v) or pin 2 (208V) on the fan transformer.



460V

230V

4. Set the overload setting. Set the overload to the correct setting based on voltage and machine model. See chart below.



	208v	230v	460v
EN4	23 A	20 A	11A
EN5	23 A	20 A	11 A
EN7	31 A	28 A	14 A