

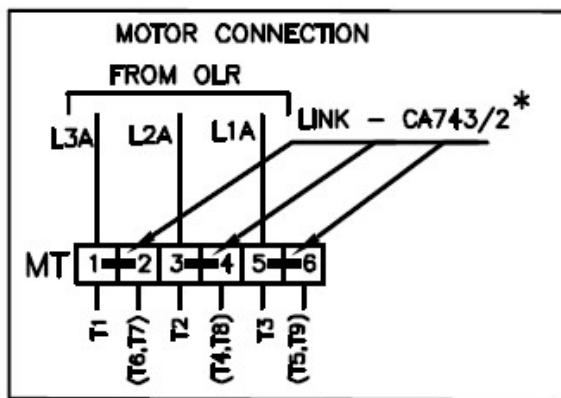


Voltage conversion 230v to 460v

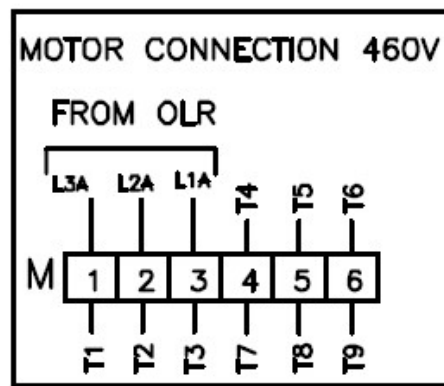
(EN4 to EN7) 9 lead motors

- Rewire the Motor for 460v operation.** Take note that you must also remove the 3 jumper links between 1 and 2, 3 and 4, and 5 and 6 when rewiring. The motor connections for 460v are shown below in the right-hand diagram.

230v



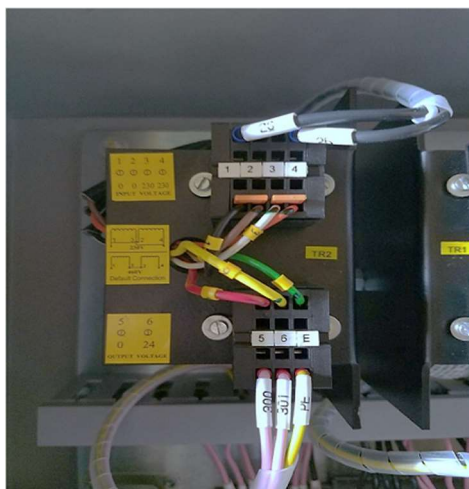
460v



- Reconfigure Control Transformer Jumpers**

Reconfigure the control transformer wiring for 460v operation. Remove the 2 orange jumpers between 1 and 2, 3 and 4. Put the orange jumpers back in between 2 and 3. (only 1 is necessary but you may put both in like in the picture below in case it is needed to convert back to 230 at a later time)

208/230v

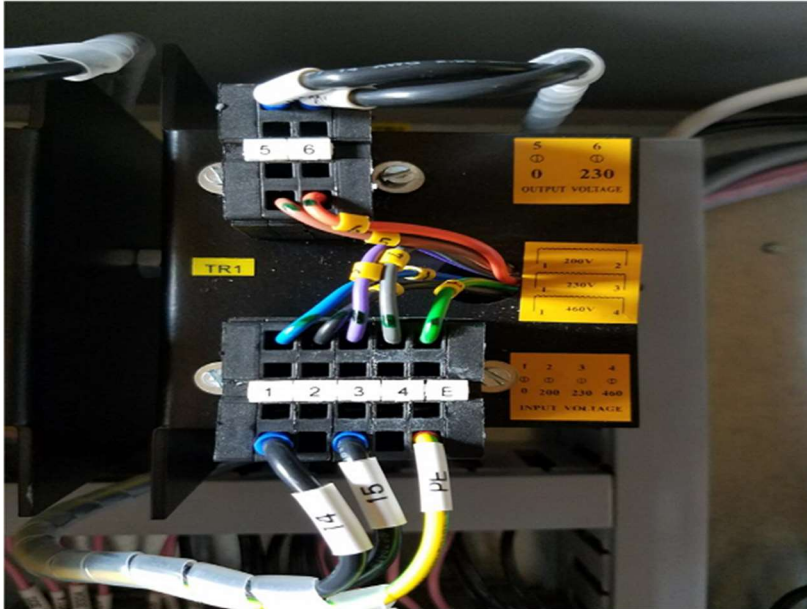


460v

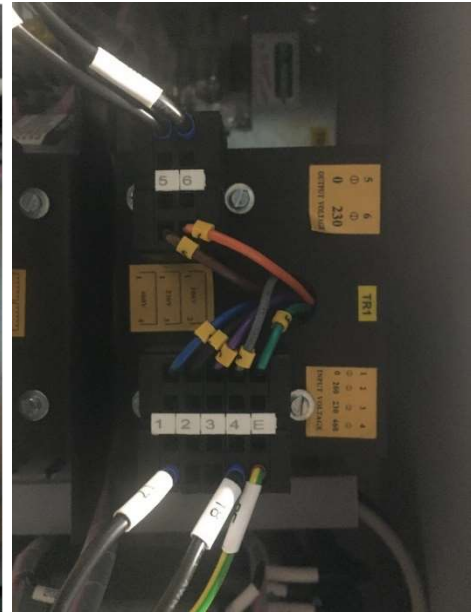


3. Reconfigure fan transformer for 460v

Move wire 15 from pin 3 to 4 on the fan transformer for 460v setting.



230V



460V

4. Set the overload setting. Set the overload to the correct setting based on voltage and machine model. See chart below.



	208v	230v	460v
EN4	23 A	20 A	11A
EN5	23 A	20 A	11 A
EN7	31 A	28 A	14 A